



TOWERIQ
SIGNAL WHERE IT MATTERS

TACTICAL SERIES ACCESSORIES

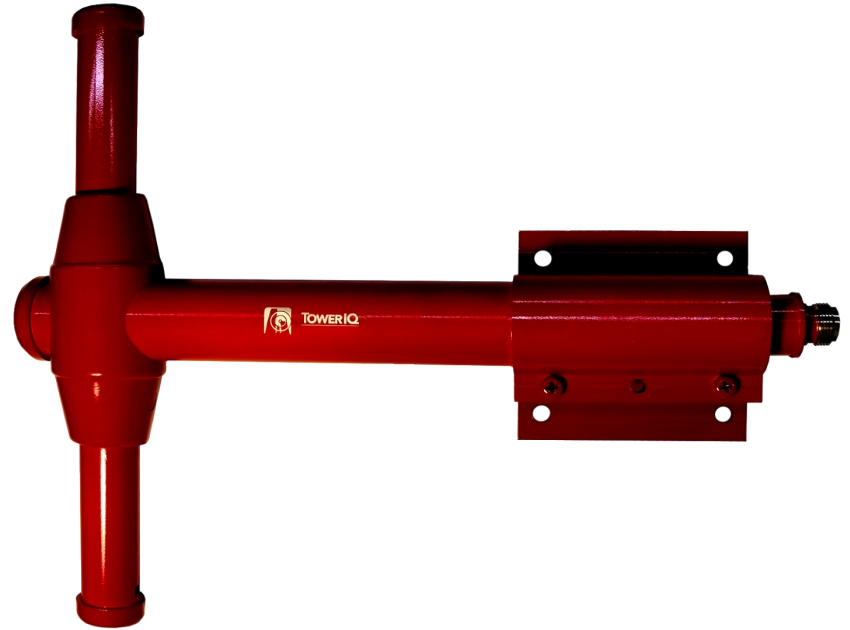
TACTICAL SERIES PUBLIC SAFETY UHF ANTENNA

ORDERING INFORMATION:

TPP.50-10164-01.00

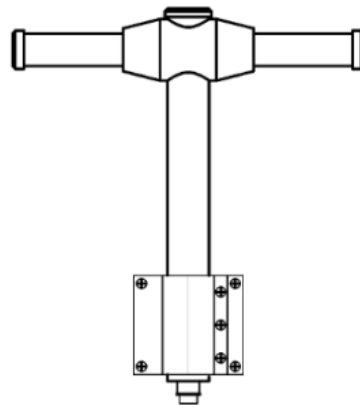
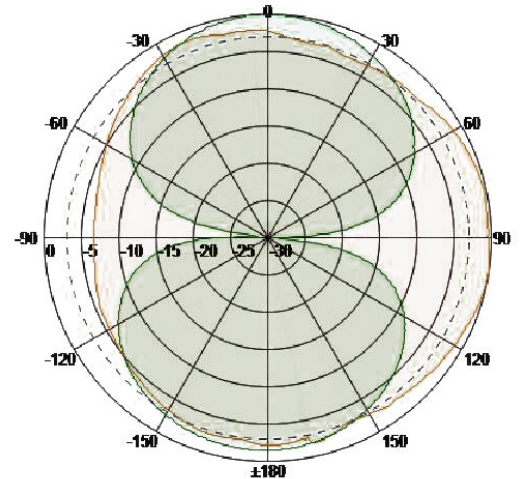
FEATURES

- Supports 450MHz to 520MHz
- Low VSWR
- Half-Wave Dipole
- High Gain
- IP-65 Rated
- N-Female Connector
- Red or White

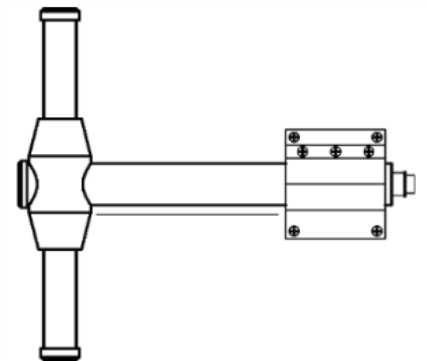


UHF Dipole Antenna.

Specifically engineered for T-Band operations, this antenna provides a high-gain, multi-floor radiation pattern while minimizing bulk. Available in Red and White. Ships with mounting bracket.



STRONG VERTICAL COVERAGE



STRONG HORIZONTAL COVERAGE

While accurate at the time of publication. The contents of this document may be subject to change without notice.