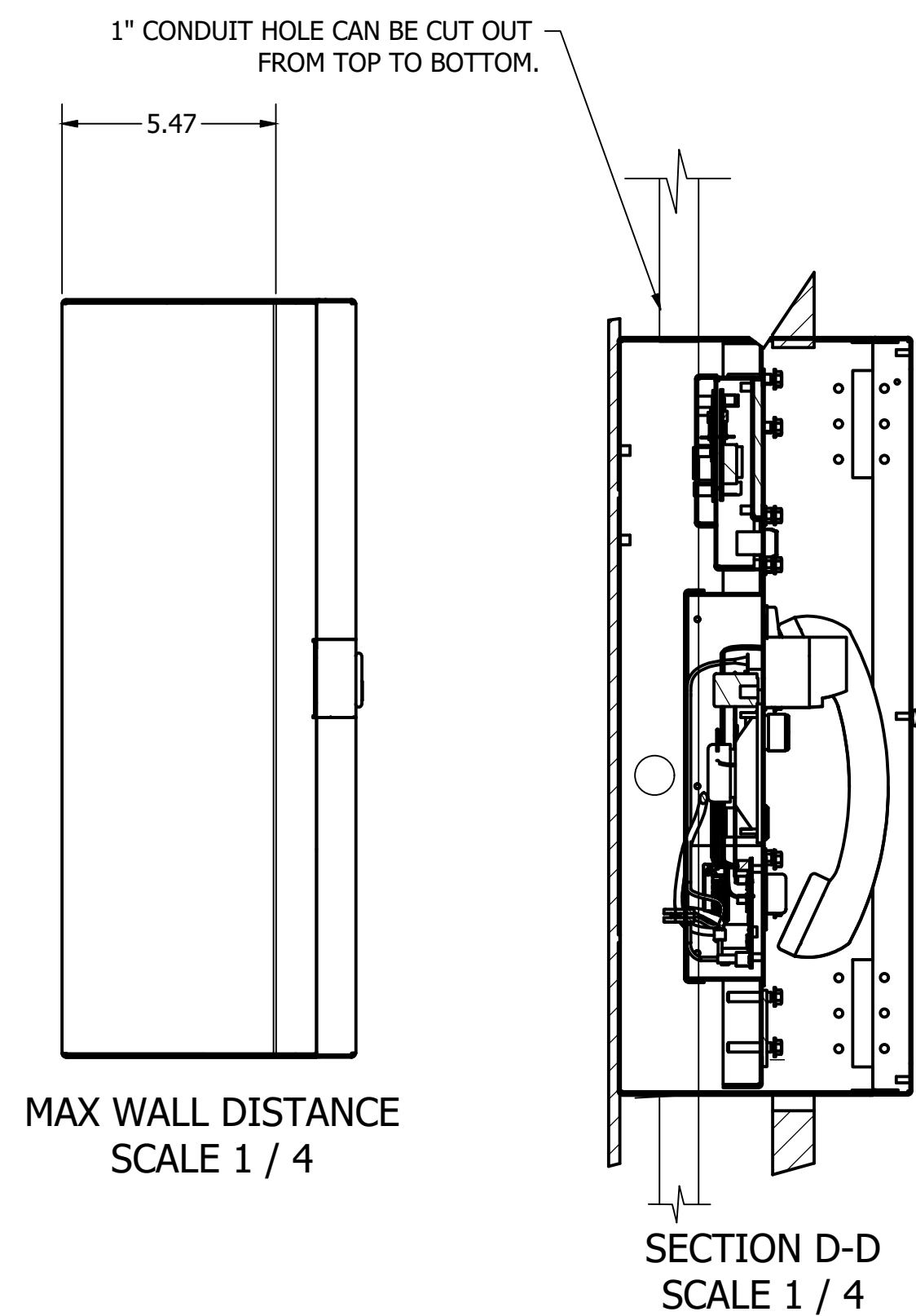
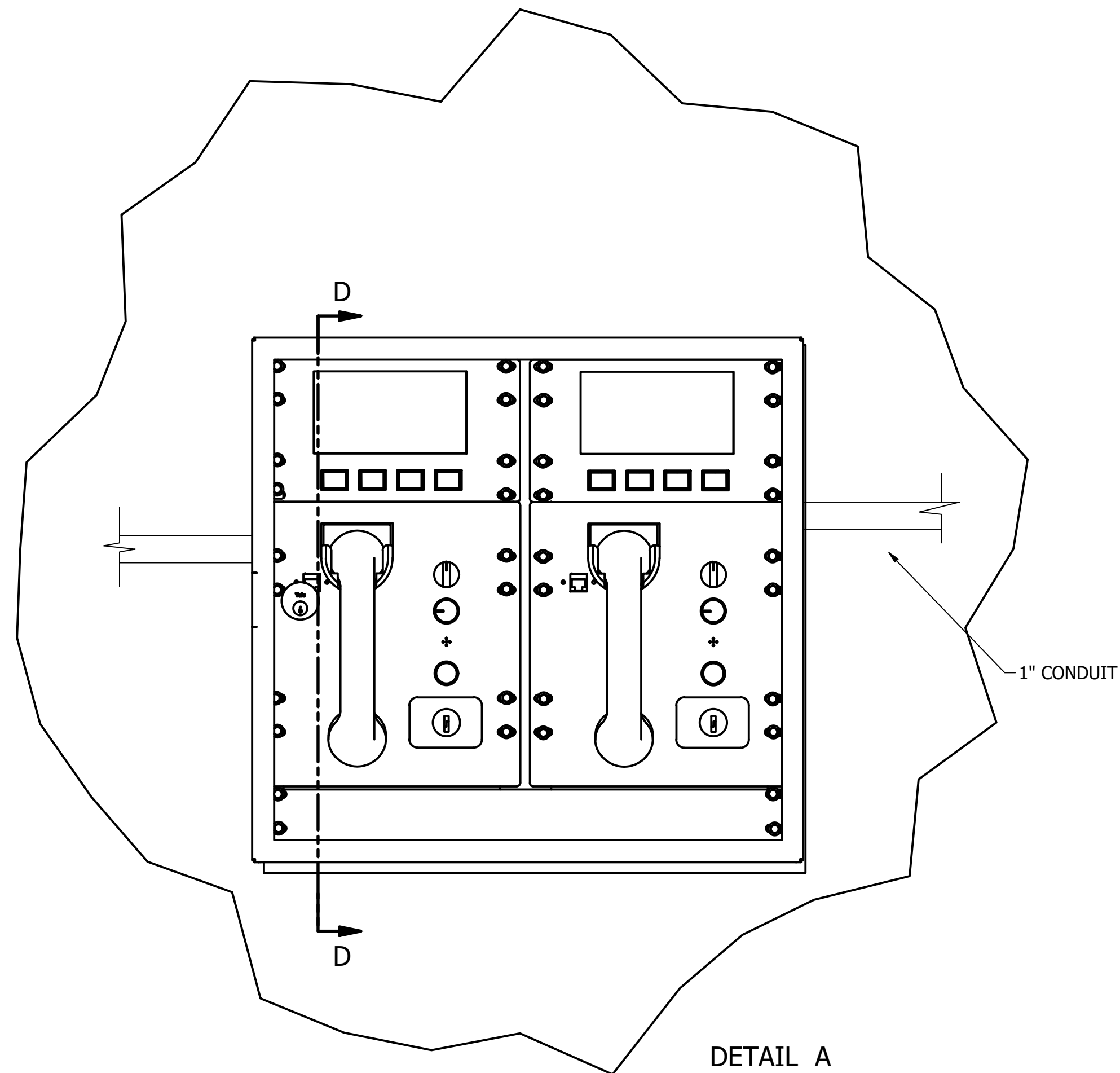


DETAIL B
SCALE 1 / 4

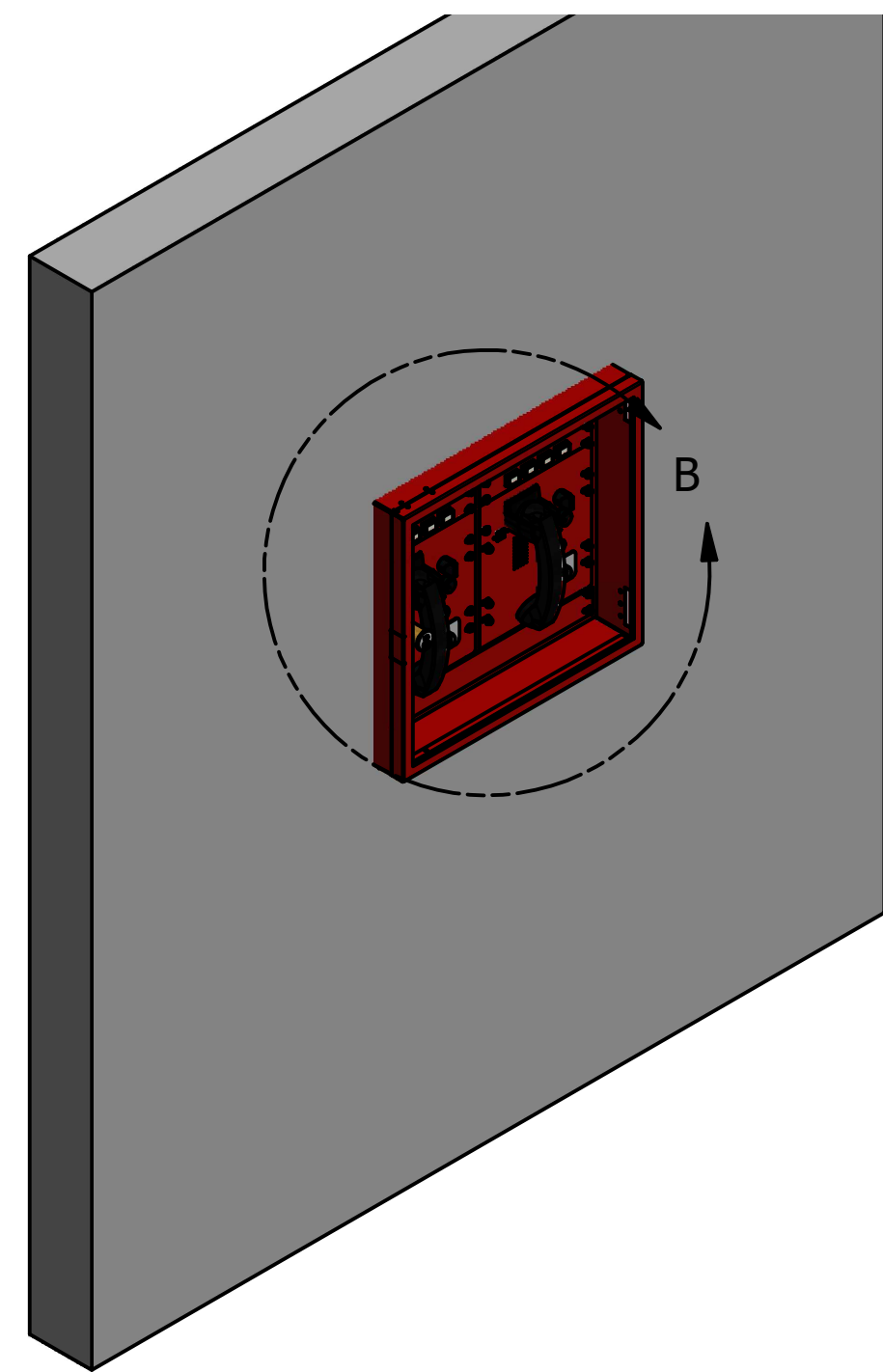


MAX WALL DISTANCE
SCALE 1 / 4

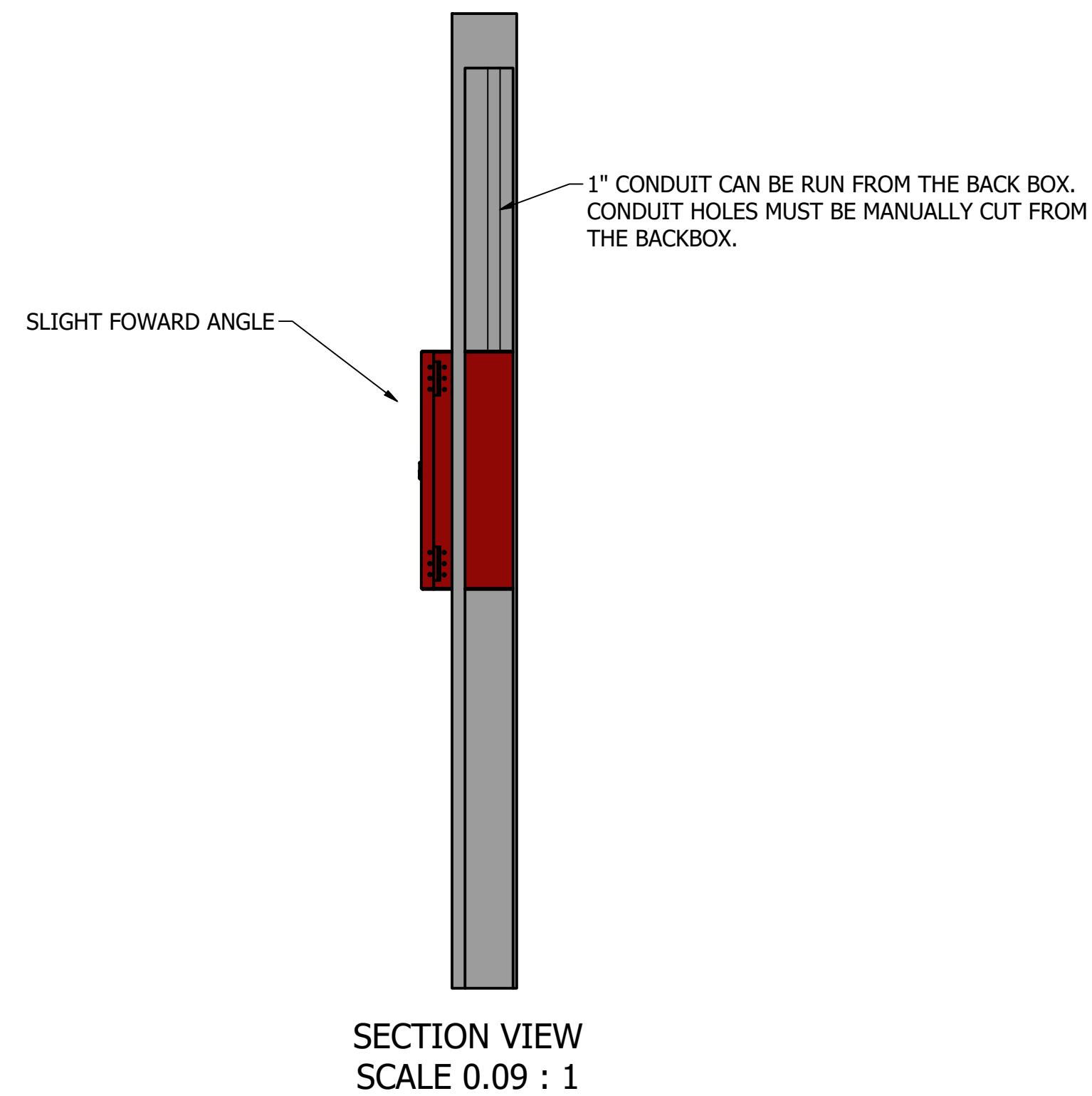
SECTION D-D
SCALE 1 / 4



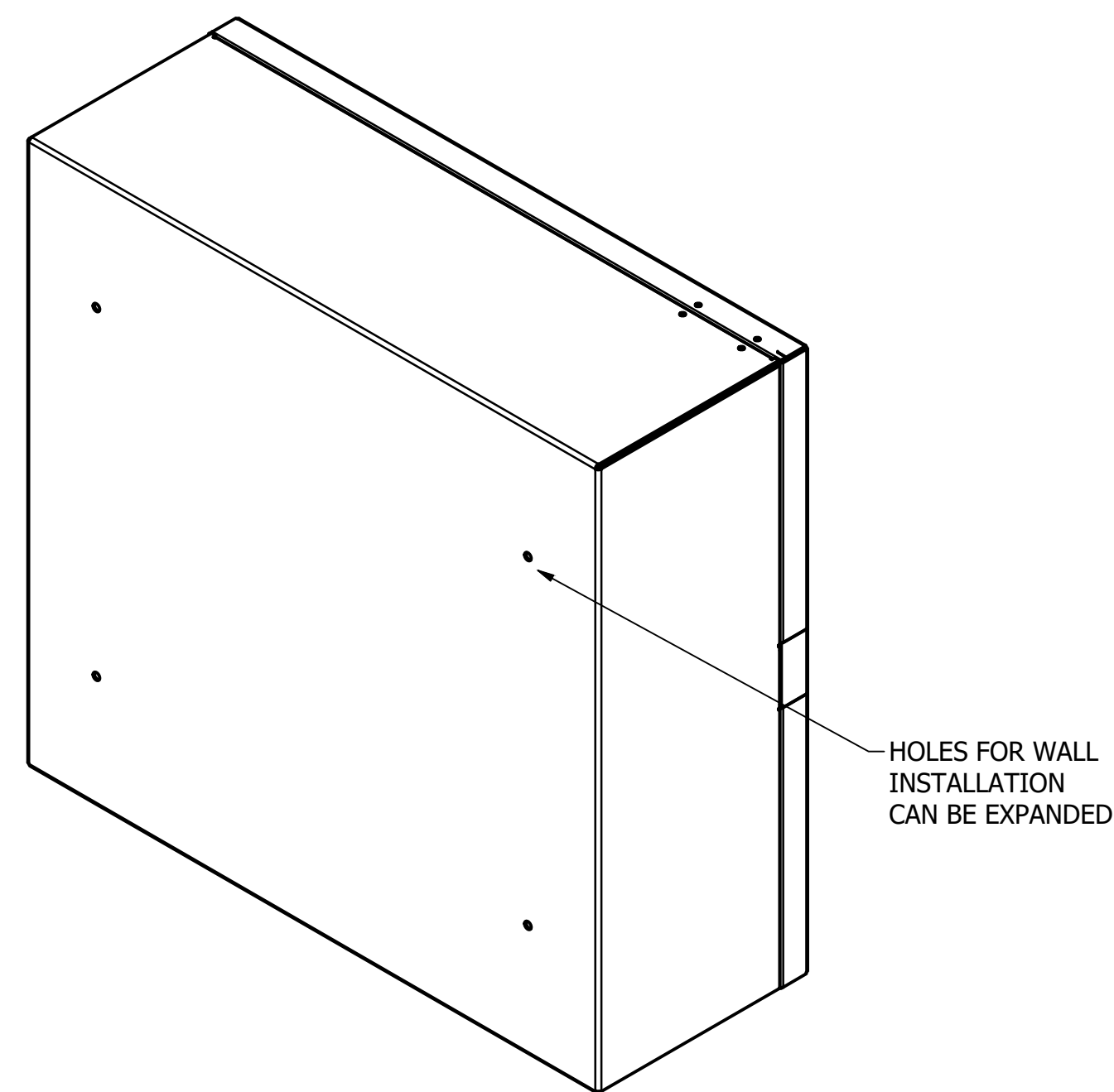
DETAIL A
SCALE 1 / 4



INSTALLED ON WALL
SCALE 0.09 : 1



SECTION VIEW
SCALE 0.09 : 1



HOLES FOR WALL
INSTALLATION
CAN BE EXPANDED



TOWER IO
37-18 NORTHERN BLVD., LONG ISLAND CITY, NY 11438
PHONE: 646-742-7838 FAX: 646-742-7189

Installation Guide

NO.	DATE	DRAFTER
01	2018/07/10	FD

DESIGNER:FAUSTO DEND
DATE CREATED:2018/07/10
PROJECT NUMBER:FA####

ISSUED FOR:
INSTALLATION

SHEET TITLE:
DRC INSTALLATION GUIDE
PAGE TITLE:
FA800.00

THIS DRAWING CONTAINS PROPRIETY INFORMATION, AND MAY NOT BE REPRODUCED, DISTRIBUTED OR OTHERWISE USED WITHOUT THE EXPRESS WRITTEN CONSENT OF TOWER IO.

SCALE: N/A	PAGE SIZE: ANSI D
PAGE NUMBER: 1 OF 1	